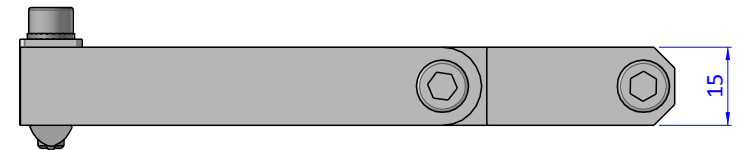
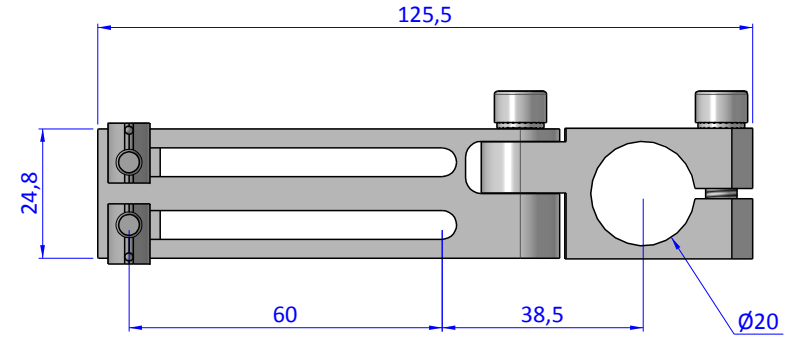
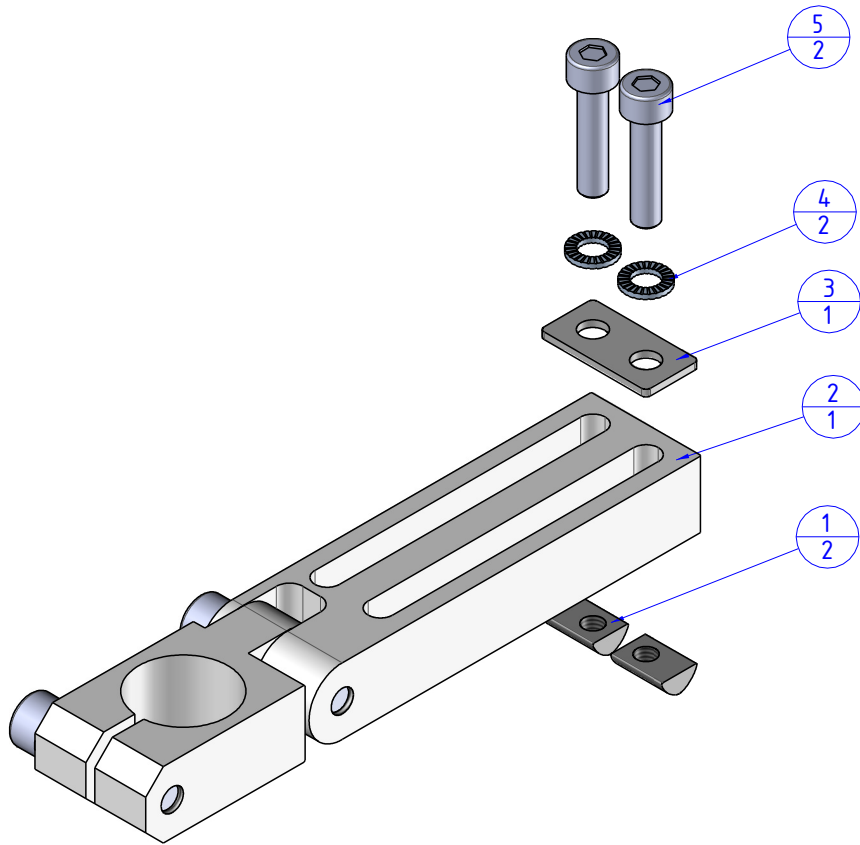



Object Number	Name	QTY
1	02.05.003	2
2	CA.WSL.GA.20.2	1
3	R.05.12	1
4	R.5.SCH	2
5	V.TCE5x22	2



THE PROPERTY OF THE DRAWING IS ESTABLISHED BY LAW. IT IS FORBIDDEN TO PRODUCE OR SHOW IT TO THIRD PARTY, WITHOUT A WRITTEN AGREEMENT.

Format A3

UNI 936-76

 FPS FPSERVICES AUTOMATION		DESIGNED FROM		REVIEW
		FPS Automation		A
GENERAL TOLERANCE		DATE	WEIGHT	
UNI - ISO 2768		29/07/2019	0,11kg	
CLASSE f	DESCRIPTION	CODE		
	CA.WSL.GA.20.5	CA.WSL.GA.20.5		